

# MESUCO 131X rapid

Ø35 cup hinge.

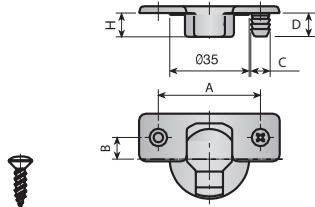
Quick assembly.

Clip assembly hinge for doors with a thickness of 14 to 26 mm.



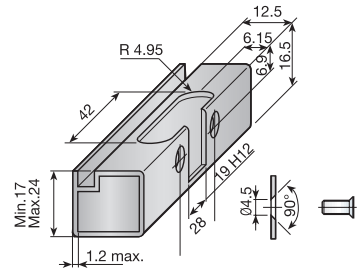
1 HINGE GROUP

		<p>988.715.066*</p> <p>* Supplied to order.</p>			
		A:48, B:6			
		Screw-fixed	With dowels D:8	With dowels without spring	Expand D:10
<p>110°</p> <p><math>\alpha = 0^\circ \div 110^\circ</math></p> <p>H = 11.3</p>	0mm.	318.210.060	318.220.066	390.220.062	344.610.066
	8mm.	318.211.062	318.221.061		344.620.065
	17mm.	318.212.064	318.222.063		344.630.064
	extra				
<p>165°</p> <p><math>\alpha = 0^\circ \div 165^\circ</math></p> <p>H = 11.3</p>	0mm.	323.410.065	323.510.062		
	9mm.	323.420.064	323.520.061		
	18mm.	323.430.063	323.530.060		
<p><math>\alpha = 45^\circ \div 155^\circ</math></p> <p>H = 11.3</p>	0mm.	323.870.061	323.880.060		
<p>90°</p> <p><math>\alpha = 90^\circ \div 200^\circ</math></p> <p>H = 11.3</p>	0mm.	323.910.064	323.920.063		



988.715.066\*

\* Supplied to order.


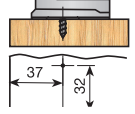

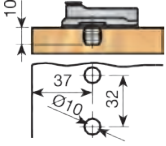

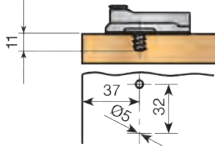

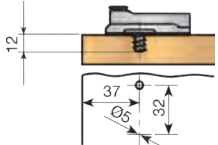

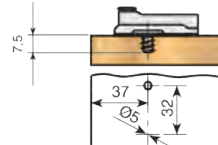

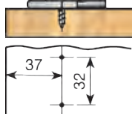

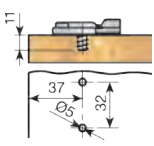

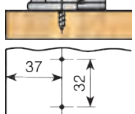


Clamping screw  
ref: 951.610.063

A: 45, B: 9,5		A: 52, B: 5.5			Hinge for aluminium frame
Screw-fixed	With dowels C:8 D:11	Screw-fixed	With dowels C:10 D:8	Expand	
318.400.062	398.420.061	318.510.065	318.520.064	318.530.063 318.547.062 (1)	323.710.063
318.401.064		318.511.060	318.521.066	318.531.065 318.545.065 (1)	323.720.062
318.402.066		318.512.062	318.522.061	318.532.060 318.546.060 (1)	323.730.061
318.450.064		318.610.062	318.620.061		
		318.611.064			
		318.612.066			
323.871.063	323.881.062				
323.911.066	323.921.065				

(1) Without opening retention

2 MOUNTING PLATES

HEIGHT OF THE PLATES IN MM.				0	2	4
		Screw-fixed Vertical adjustment ± 2 mm	Nickel-plated steel	350.210.066	350.212.063	350.214.060
		Knock-in Vertical adjustment ± 2 mm	Nickel-plated steel	350.220.065	350.222.062	350.224.066
		Pre-mounted euroscrew Vertical adjustment ± 2 mm	Nickel-plated steel	350.230.061	350.232.061	350.234.065
		Screw-fixed (WITH CENTERER) Vertical adjustment ± 2 mm	Nickel-plated steel	348.500.062	348.502.066	348.504.063
		Screw-fixed (WITH CENTERER) Vertical adjustment ± 2 mm	Nickel-plated steel	390.010.062	390.012.066	
		Screw-fixed Vertical adjustment ± 1,6 mm eccentric	Nickel-plated steel	348.600.066	348.602.063	
		Pre-mounted euroscrew Vertical adjustment ± 1,6 mm eccentric	Nickel-plated steel	348.400.065		
		Screw-fixed Vertical adjustment ± 2 mm	Nickel-plated steel	350.215.063		



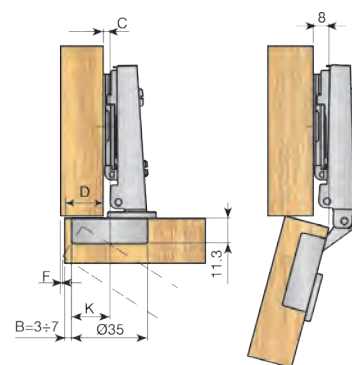
3 TECHNICAL DATA

Mesuco 131x rapid Opening 110°

Full overlay



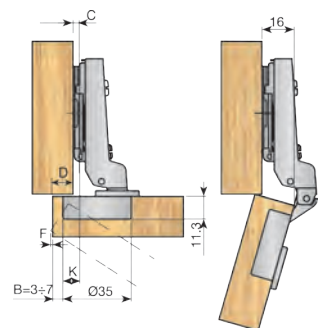
Calculation of the height of the plate  
 $C = B + K - D$   
 $K = \text{Constant} = 10,5\text{mm}$



Half overlay



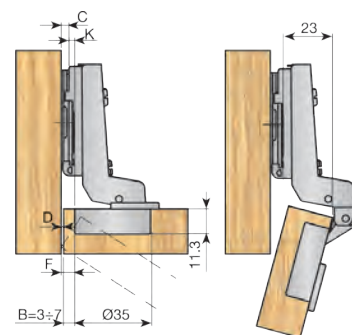
Calculation of the height of the plate  
 $C = B + K - D$   
 $K = \text{Constant} = 2,5\text{mm}$



Full inset\*



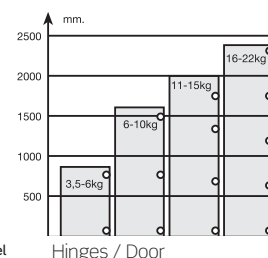
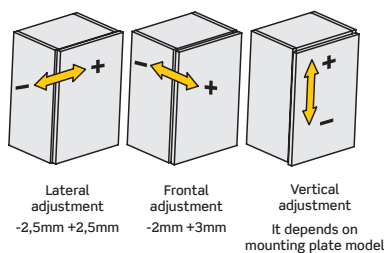
Calculation of the height of the plate  
 $C = B + K + D$   
 $K = \text{Constant} = -6,5\text{mm}$



\* The position to fix the base has to be moved back a distance equal to the door thickness + 1mm

Lateral door displacement (F).

mm	Door thickness									
B	16	17	18	19	20	21	22	23	24	
3	0,8	1	1,4	1,8	2,2	2,8	3,5	4,3	5,0	
4	0,8	1	1,4	1,7	2,1	2,7	3,3	4,3	4,7	
5	0,8	1	1,4	1,6	2,0	2,5	3,1	3,7	4,4	
6	0,8	1	1,4	1,6	2,0	2,4	2,9	3,5	4,1	
7	0,7	0,9	1,2	1,5	1,9	2,3	2,8	3,3	3,8	



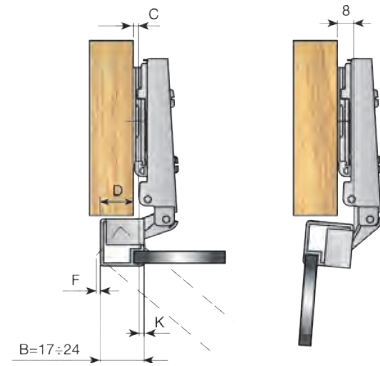
Hinges / Door

**Mesuco 131x rapid Opening 110° Hinge for aluminium frames**

Full overlay



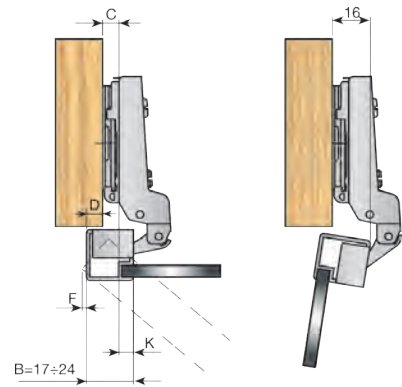
Calculation of the height of the plate  
 $C = B - D - K$   
 $K = \text{Constant} = 3,5\text{mm}$



Half overlay



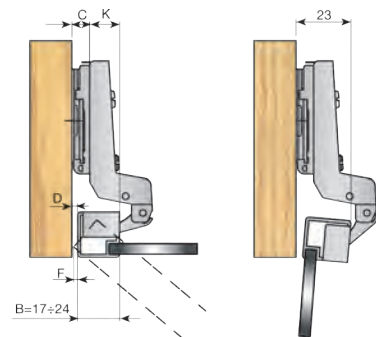
Calculation of the height of the plate  
 $C = B - D - K$   
 $K = \text{Constant} = 11,5\text{mm}$



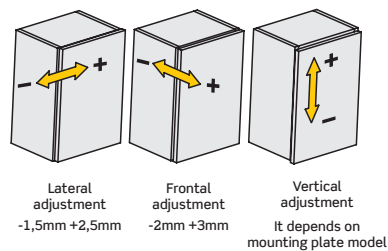
Full inset\*



Calculation of the height of the plate  
 $C = B + D - K$   
 $K = \text{Constant} = 18,5\text{mm}$



\* The position to fix the base has to be moved back a distance equal to the door thickness + 1mm



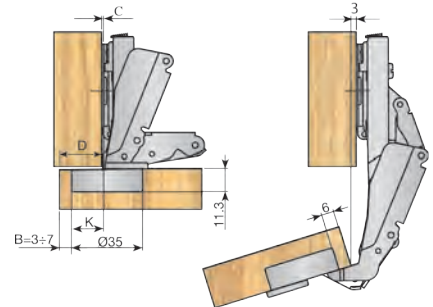
mm.	
2500	16-22kg
2000	11-15kg
1500	6-10kg
1000	3,5-6kg
500	
Hinges / Door	

■ **MESUCO 131X RAPID Opening 165°**

*Full overlay*



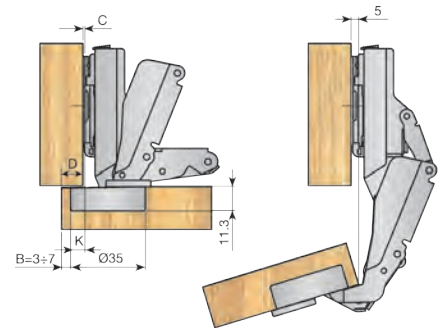
Calculation of the height of the plate  
 $C = B + K - D$   
 $K = \text{Constant} = 10,5\text{mm}$



*Half overlay*



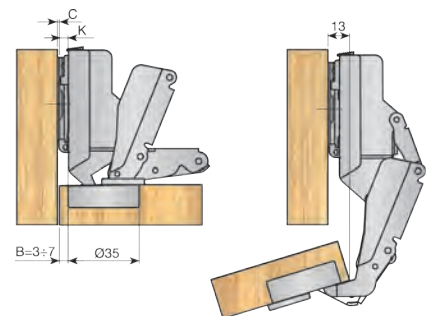
Calculation of the height of the plate  
 $C = B + K - D$   
 $K = \text{Constant} = 1,5\text{mm}$



*Full inset\**



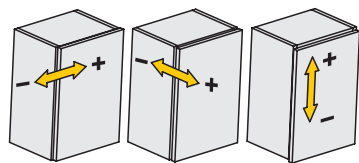
Calculation of the height of the plate  
 $C = B + K - D$   
 $K = \text{Constant} = -6,5\text{mm}$



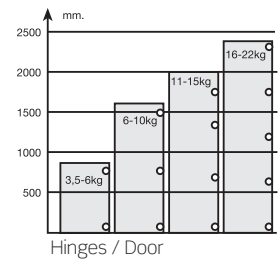
\* The position to fix the base has to be moved back a distance equal to the door thickness + 1mm

**Lateral door displacement (F).**

mm	Door thickness								
B	16	17	18	19	20	21	22	23	24
3	0,8	1	1,4	1,8	2,2	2,8	3,5	4,3	5,0
4	0,8	1	1,4	1,7	2,1	2,7	3,3	4,3	4,7
5	0,8	1	1,4	1,6	2,0	2,5	3,1	3,7	4,4
6	0,8	1	1,4	1,6	2,0	2,4	2,9	3,5	4,1
7	0,7	0,9	1,2	1,5	1,9	2,3	2,8	3,3	3,8



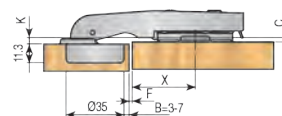
Lateral adjustment -1,5mm +2,5mm  
 Frontal adjustment -2mm +3mm  
 Vertical adjustment It depends on mounting plate model



**MESUCO 131X RAPID Opening 90° ÷ 200°**



Calculation of the height of the plate  
 $X = 24 - B - F$   
 K = Constant = 0mm

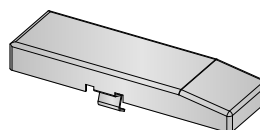


**4 COVERS**

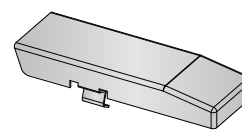
**Hinge cover.**

Full overlay	Nickel-plated	302.431.065
Half overlay / Full inset	Nickel-plated	302.531.062

The hinge cover can be customized by stamping or serigraphy.



Full overlay



Half overlay / Full inset

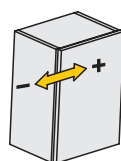
**Angle reducer for 110° hinge**

White	352.600.006
-------	-------------

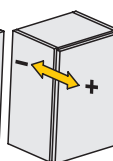


**Lateral door displacement (F).**

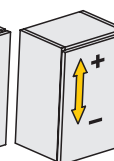
mm	Door thickness									
B	16	17	18	19	20	21	22	23	24	
3	0,8	1	1,4	1,8	2,2	2,8	3,5	4,3	5,0	
4	0,8	1	1,4	1,7	2,1	2,7	3,3	4,3	4,7	
5	0,8	1	1,4	1,6	2,0	2,5	3,1	3,7	4,4	
6	0,8	1	1,4	1,6	2,0	2,4	2,9	3,5	4,1	
7	0,7	0,9	1,2	1,5	1,9	2,3	2,8	3,3	3,8	



Lateral adjustment  
-1,5mm +2,5mm



Frontal adjustment  
-2mm +3mm



Vertical adjustment  
It depends on mounting plate model

