

1 INDEPENDENT DAMPERS

■ Embedded

INDAmatic damper.

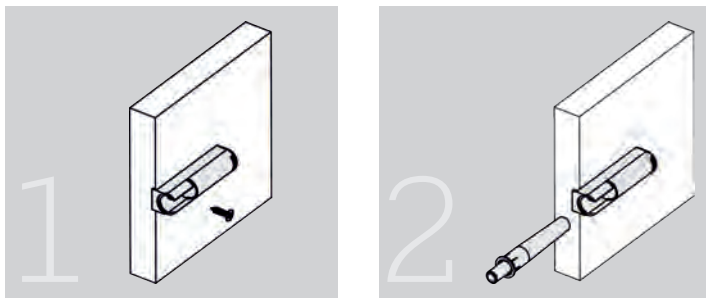
Grey	RAL 7043	213.400.143	100
------	----------	-------------	-----

Screw base for damper

Grey	RAL 7043	213.700.141	100
------	----------	-------------	-----

The recommended screw Ø3x12 pozi Ref. 982.112.036

Assembly



■ Lay-on

Base plate s/32 for damper.

Nickel-plated zamak	213.500.066	100
---------------------	-------------	-----

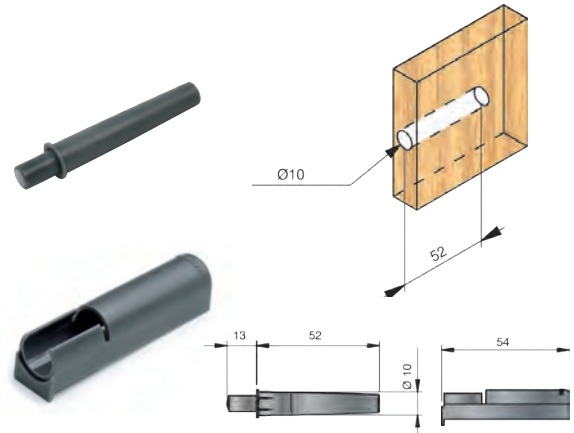
Reversible base plate: this base plate is valid for positioning the first drill at 28 or 37 mm.

Body and base plate for damper.

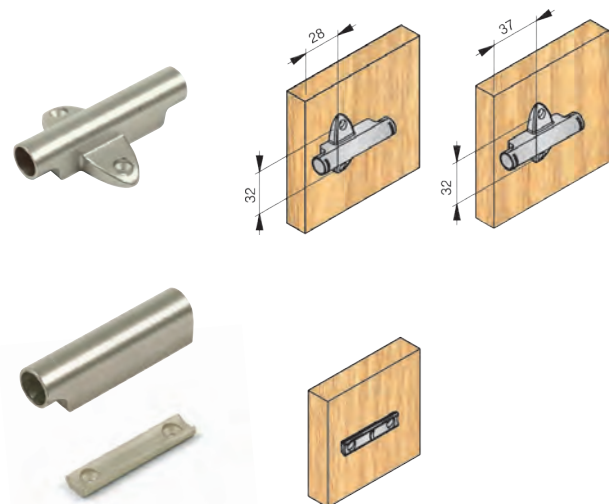
Nickel-plated zamak	213.600.063	100
---------------------	-------------	-----

Every ref. has 1 body and 1 base plate.

INDAmatic



The base provides a flange for positioning on the edge of the furniture. Secure the Ø3x12 screw and then introduce the damper on the front.



2 INDAmatic FOR MESUCO HINGES

This solution uses Indaux high performance MESUCO hinges as its starting point. And in order not to occupy any space inside the cabinet, the damper is then fitted into the cup. The damper fits comfortably into the hinge, adapts to the weight and size of the doors as well as the closing speed.

INDAmatic for hinge cup.

		A:48, B:6	A:52, B:5.5	
Mesuco 143 Rapid	Niquel-plated zamak	197.805.064	197.806.066	125
Mesuco 131X	Niquel-plated zamak	197.835.061	197.836.064	

INDAmatic

