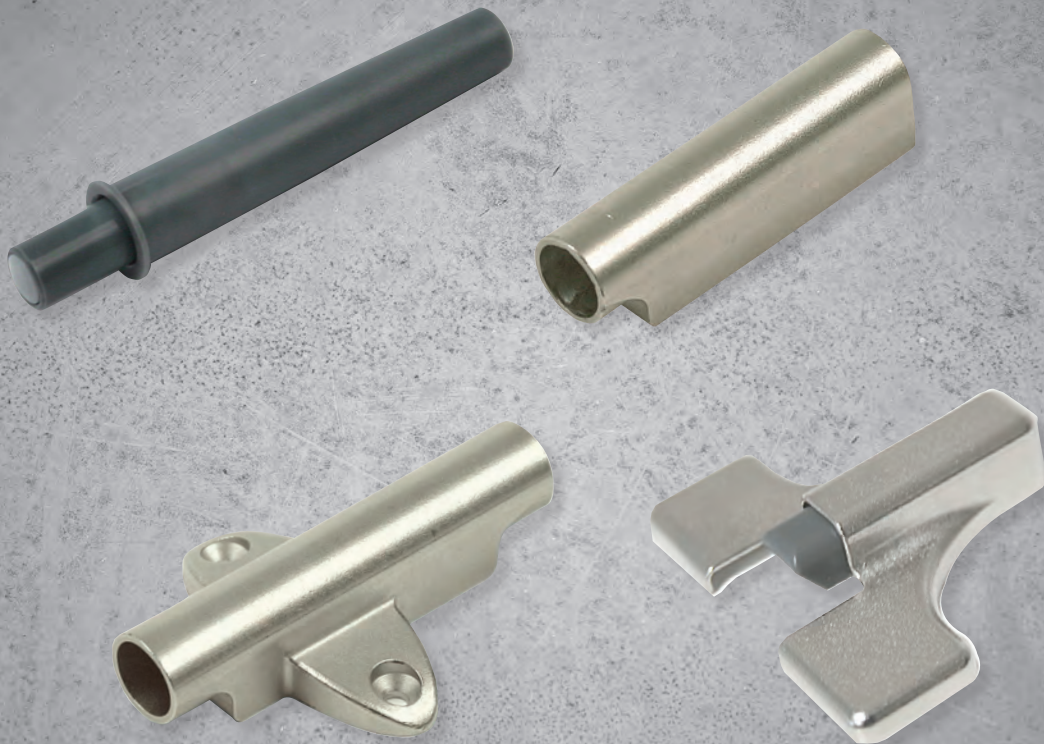


DAMPERS

New range of INDAmatic dampers for doors or drawer fronts. Silent and easy to close, without any abrupt knocks or rebounding. Different versions for different machining methods and assemblies: embedded and lay-on dampers, and adjustable to the hinge cup. Suitable for both kitchen and home furniture.



INDAmatic

1 INDEPENDENT DAMPERS

Embedded

INDAmatic damper.

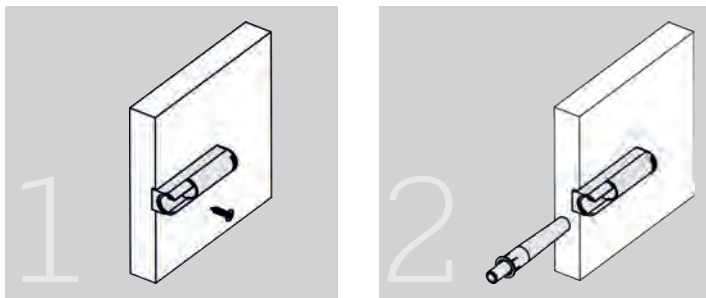
Grey	RAL 7043	213.400.143	100
------	----------	-------------	-----

Screw base for damper

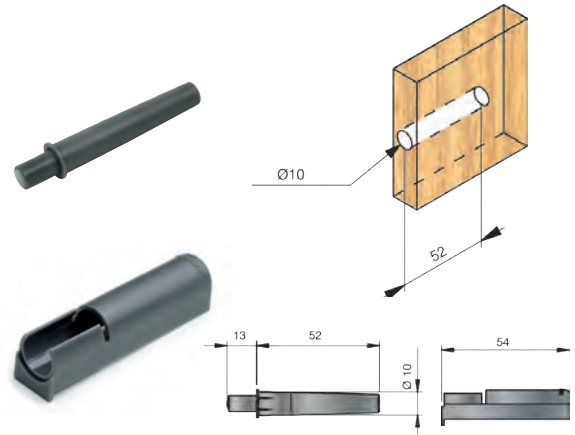
Grey	RAL 7043	213.700.141	100
------	----------	-------------	-----

The recommended screw Ø3x12 pozi Ref. 982.112.036

Assembly



INDAmatic



The base provides a flange for positioning on the edge of the furniture. Secure the Ø3x12 screw and then introduce the damper on the front.

Lay-on

Base plate s/32 for damper.

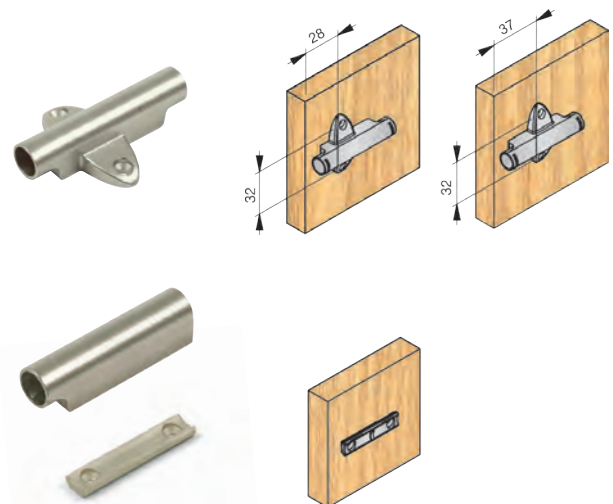
Nickel-plated zamak	213.500.066	100
---------------------	-------------	-----

Reversible base plate: this base plate is valid for positioning the first drill at 28 or 37 mm.

Body and base plate for damper.

Nickel-plated zamak	213.600.063	100
---------------------	-------------	-----

Every ref. has 1 body and 1 base plate.



2 INDAmatic FOR MESUCO HINGES

This solution uses Indaux high performance MESUCO hinges as its starting point. And in order not to occupy any space inside the cabinet, the damper is then fitted into the cup. The damper fits comfortably into the hinge, adapts to the weight and size of the doors as well as the closing speed.

INDAmatic for hinge cup.

		A:48, B:6	A:52, B:5.5	
Mesuco 143 Rapid	Niquel-plated zamak	197.805.064	197.806.066	125
Mesuco 131X	Niquel-plated zamak	197.835.061	197.836.064	


INDAmatic



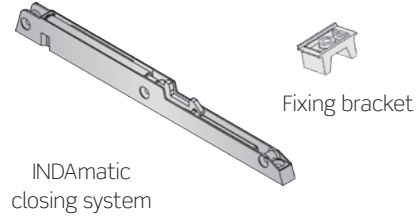
3 DAMPERS FOR WOODEN DRAWERS

■ **INDAmatic set for CISNE-17 and CISNE-27 runners without brake.**

INDAmatic + fixing bracket.


		
Grey CDP	197.900.102	50

Each reference consists of one soft-close device and one catch.

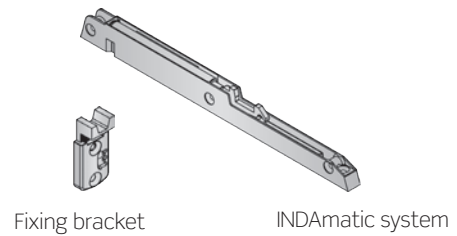


■ **UNIVERSAL INDAmatic SET FOR GACELA**

INDAmatic system + fixing bracket set for GACELA and GACELA-X.

		
Grey	197.980.101	50

Each reference consists of one soft-close device and one fixing bracket.



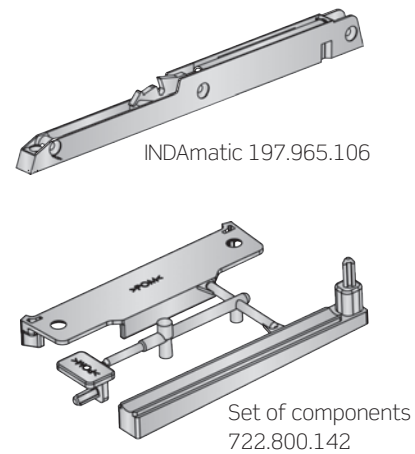
■ **UNIVERSAL INDAmatic SET, QUICK ASSEMBLY**

Indaux has developed a new universal INDAmatic system for wood drawers which can be used with any GACELA type runner. In this system the INDAmatic device is placed in a more advanced position, making the assembly faster and easier, without the need to previously measure and mark.

INDAmatic set for GACELA.

		
RAL 7043	722.820.140	20


Each reference consists of 20 soft-closing devices, 20 sets of components and assembly instructions.



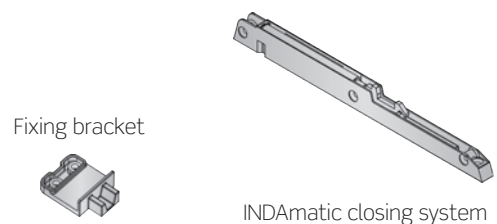
4 DAMPERS FOR SUPRA METALLIC DRAWERS

■ **SUPRA INDAmatic INDEPENDENT**

INDAmatic set for SUPRA drawers

		
White	RAL 9001	194.800.001
Grey	RAL 7040	194.800.314

Each reference consists of one soft-close device and one fixing bracket.

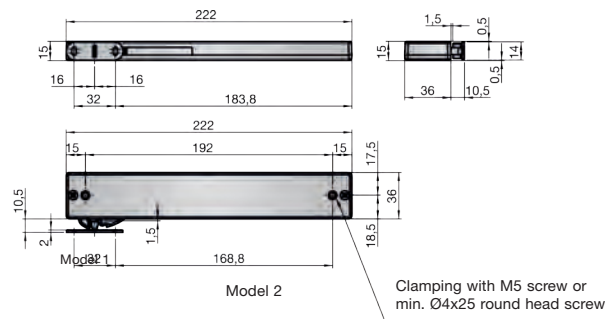
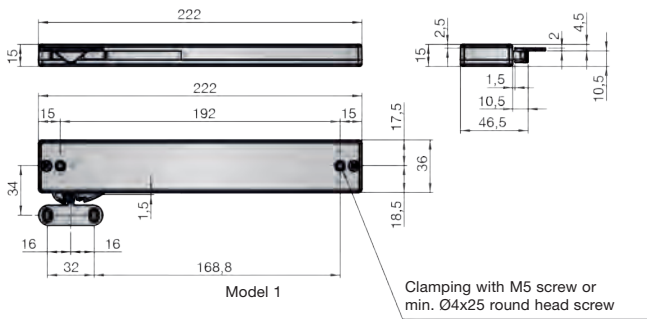
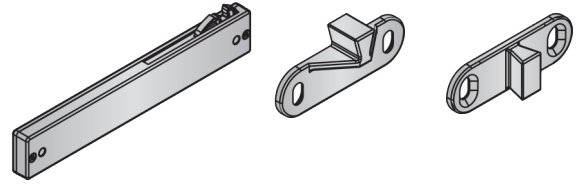


5 DAMPERS FOR SLIDING DOORS

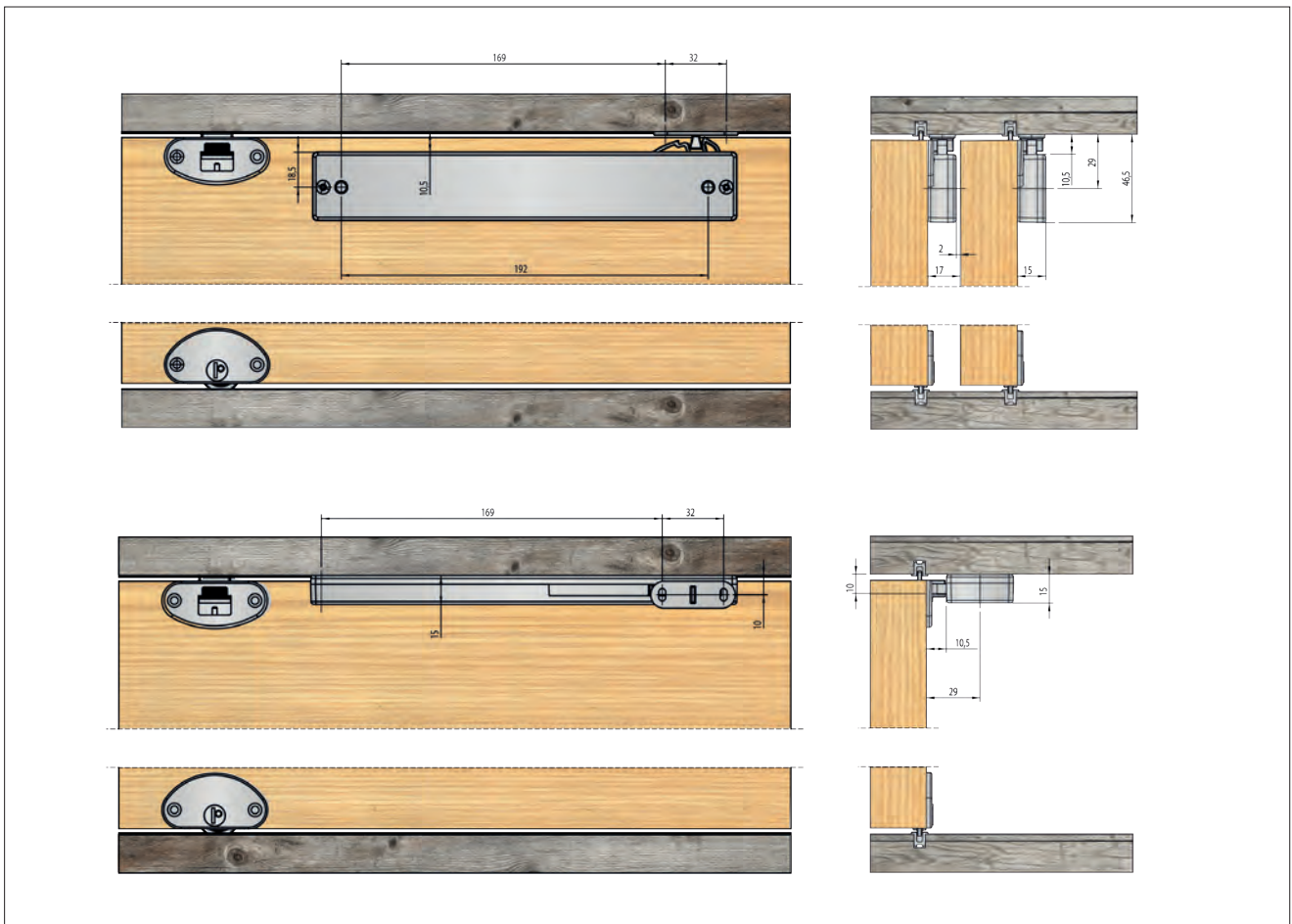
INDAmatic set for sliding doors.

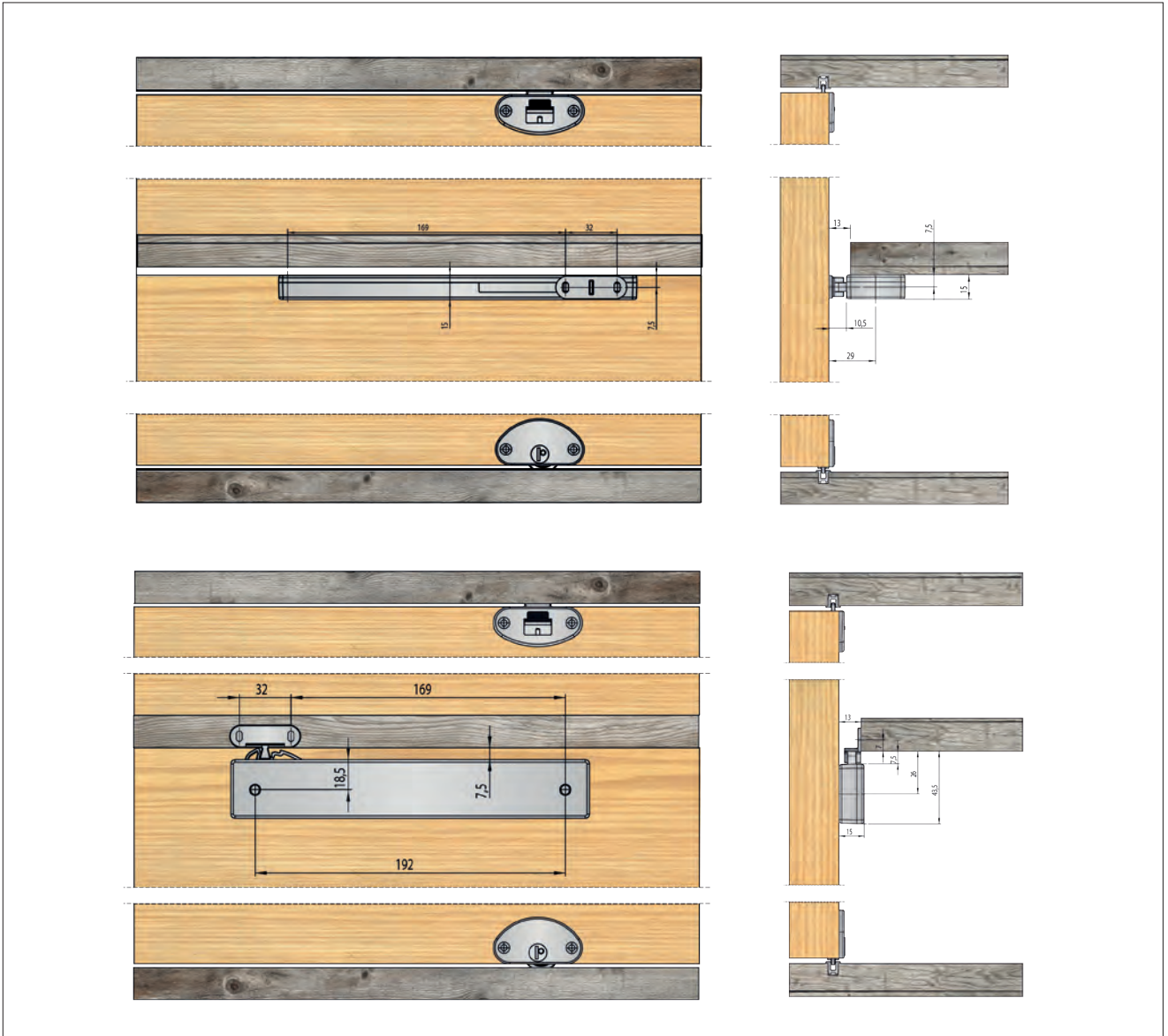
Set model 1	198.910.003	20
Set model 2	198.911.005	

Each set consists of 1 INDAmatic and 1 activator



Application examples





INDAmatic for shower cabinet



INDAmatic for shower cabinet

197.525.101

100

