


Front adjusters

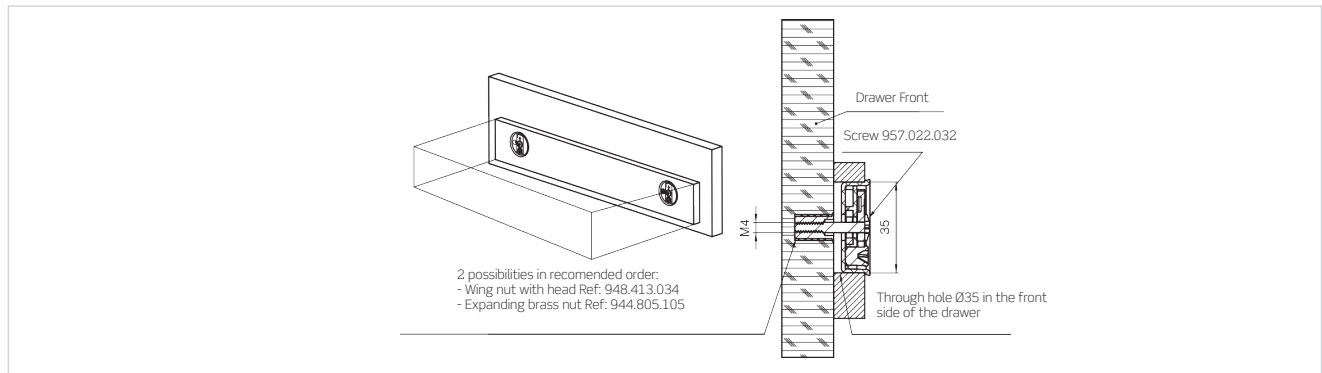
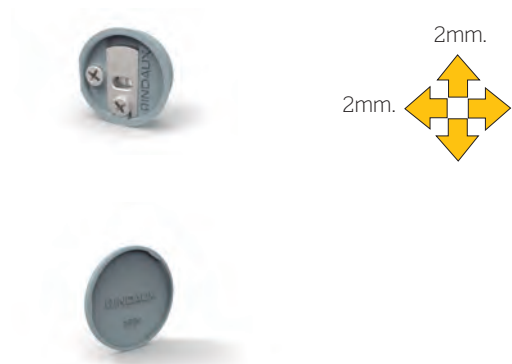
1 CLEVER FIT ADJUSTER

Clever fit adjuster.

				
White	RAL 9003	731.520.134	50	
Grey	RAL 7040	731.520.311		


Clever fit cover.

				
White	RAL 9001	731.510.006	100	
White	RAL 9003	731.510.135		
Grey	RAL 7040	731.510.312		
Brown	RAL 8016	731.510.010		
Black	RAL 9005	731.510.021		



2 CENTERER FOR DRAWER FRONTS

Centerer for fronts.

				
White		731.000.001	2.500	

Fixing screw M4 x 22.

				
Zinc-coated		957.022.032	2.500	

