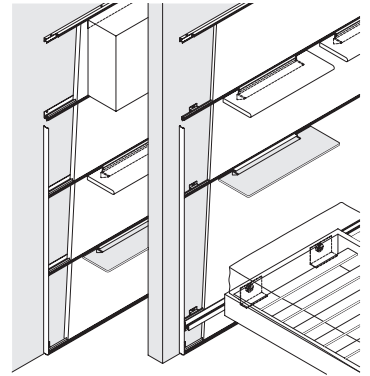


PANELLING SYSTEMS

Horizontal and vertical panelling systems for different panel thicknesses.



1 HORIZONTAL PANELLING SYSTEMS: RASTY

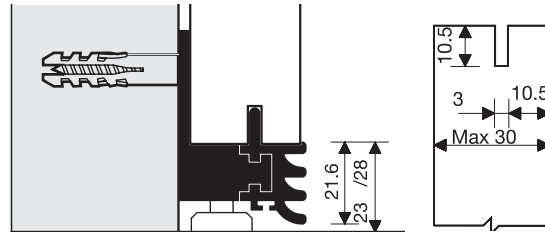
- > For panel thicknesses up to 30mm.
- > 3 Fixing systems:
- > Wall-fix, with base or knock-in.

Lower profile

Lower profile for assembly with base.

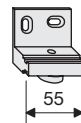
Anodised	153.230.512	10
----------	-------------	----

3m profiles. To assemble with base 154.000.103.

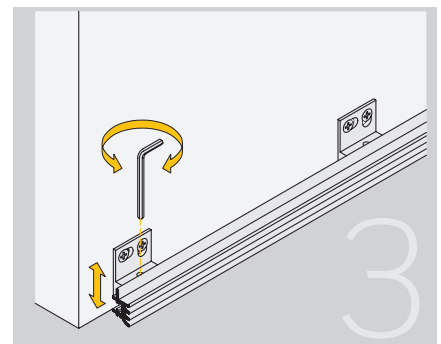
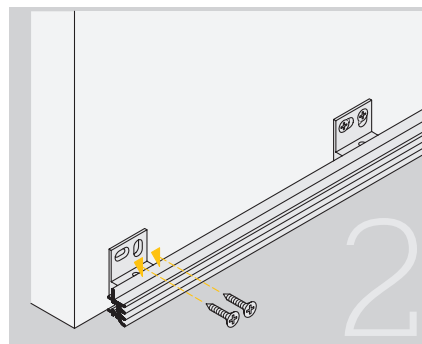
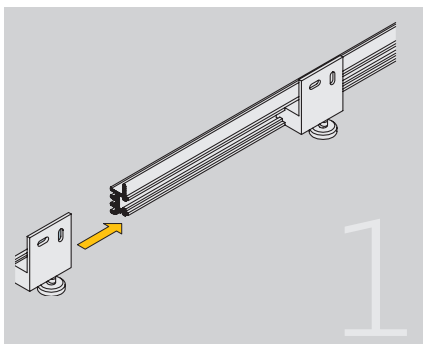


Base for lower profile.

	154.000.103	10
--	-------------	----



Assembly

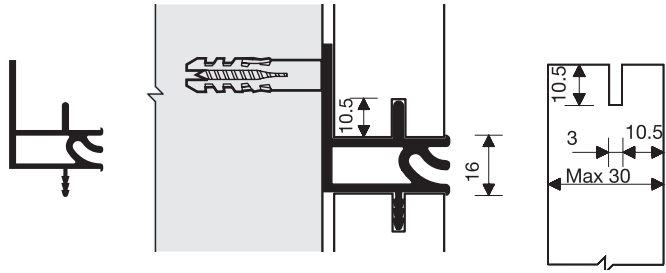


■ Intermediate profile – wall-fix

Intermediate profile for wall-fix.

Anodised	153.430.513	8
----------	-------------	---

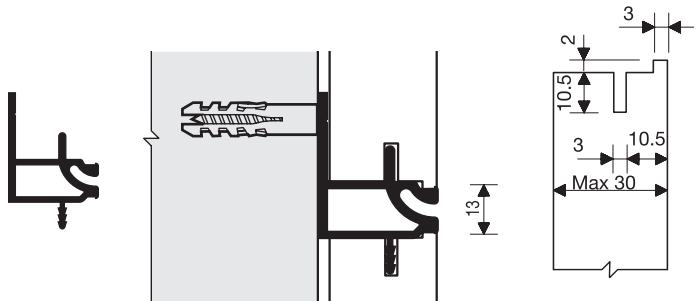
3m profiles.



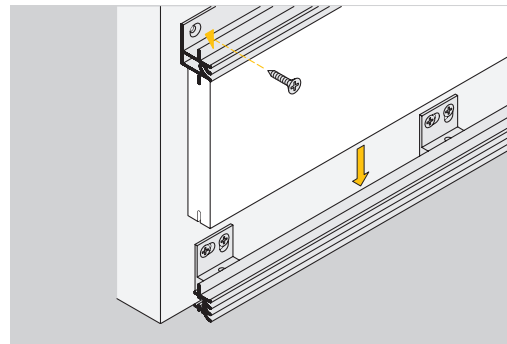
Plain intermediate profile for wall-fixing.

Anodised	153.530.510	4
----------	-------------	---

3m profiles.



Assembly

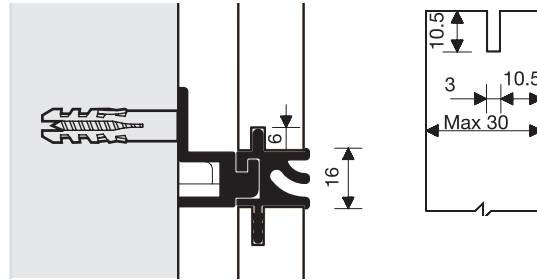


■ Intermediate profile for assembly with base

Intermediate profile for assembly with base.

Anodised	153.730.511	10
----------	-------------	----

3m profiles.

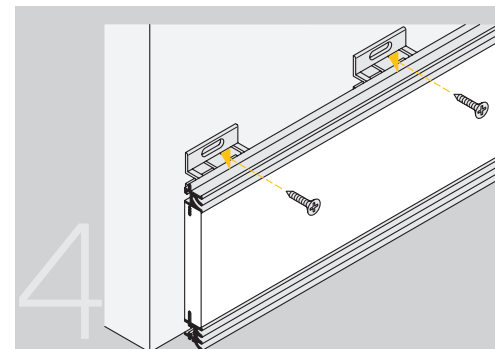
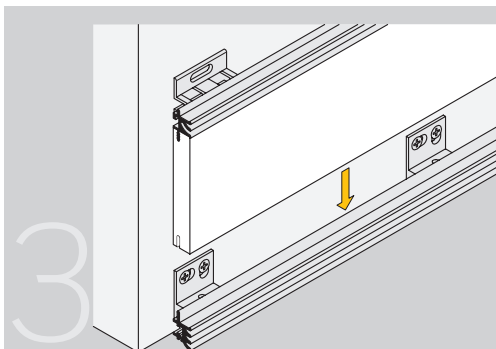
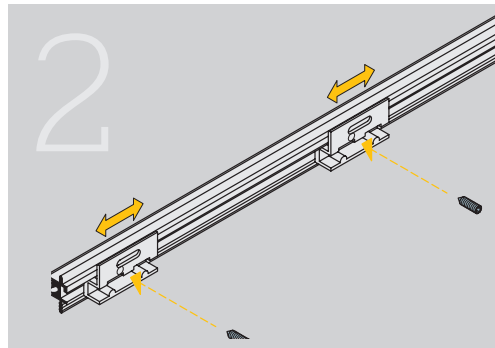
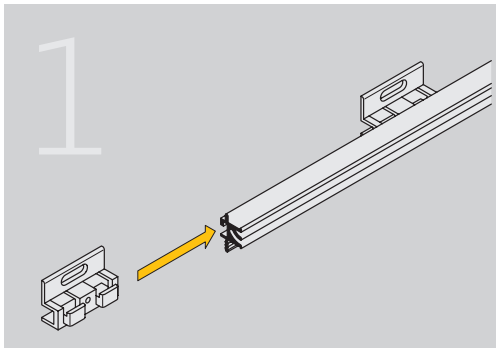


Base for Intermediate profile.

	154.100.030	10
--	-------------	----



Assembly

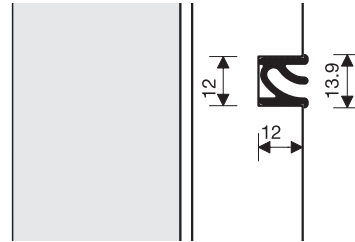


Intermediate profile - knock-in

Intermediate profile for knock-in.

Anodised	153.630.514	20
----------	-------------	----

3m profiles.

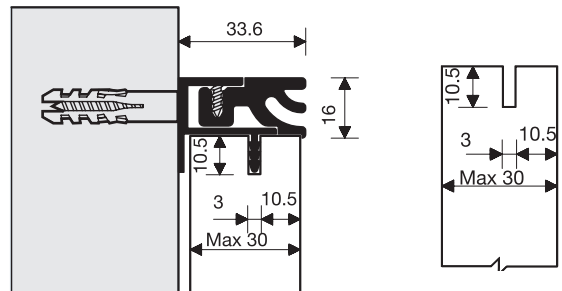


Upper profile

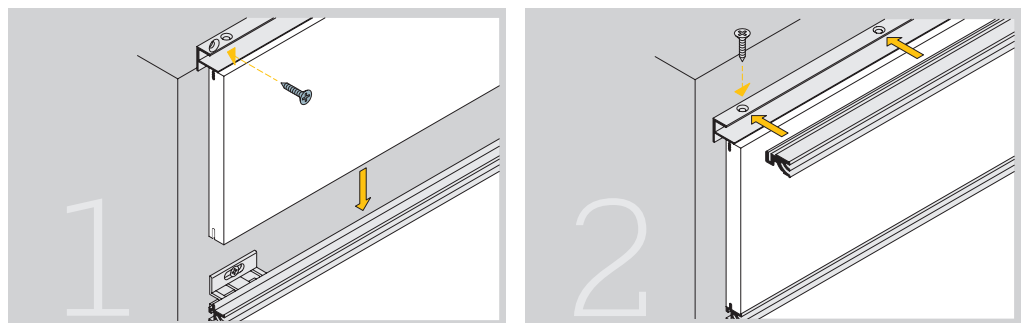
Upper profile.

Anodised	153.030.511	5
----------	-------------	---

3m profiles.



Assembly



■ Side closing profile

Side closing profile.

Anodised	153.930.512	20
----------	-------------	----

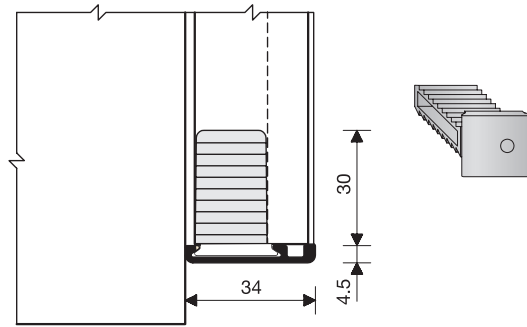
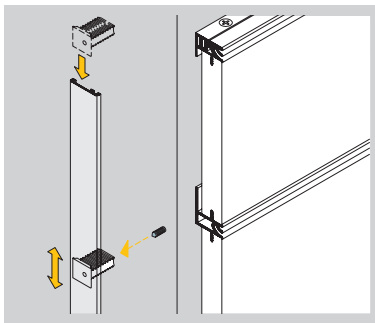
3m profiles.



Joining seal for side profile.

Grey	157.000.314	20
------	-------------	----

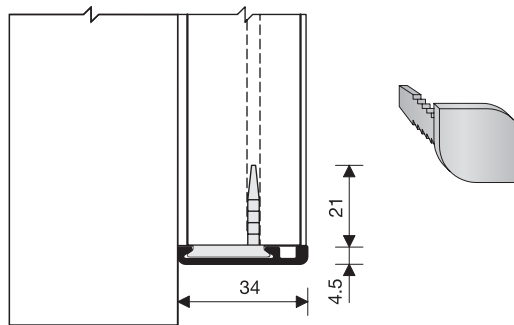
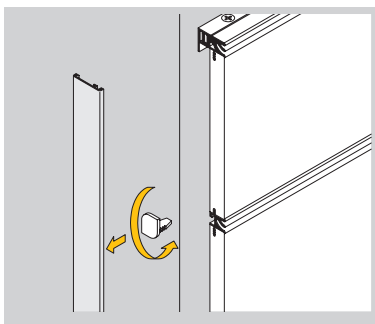
For use with wall-fix intermediate profiles, refs. 153.430.513 and 153.530.510.



Joining seal for side profile.

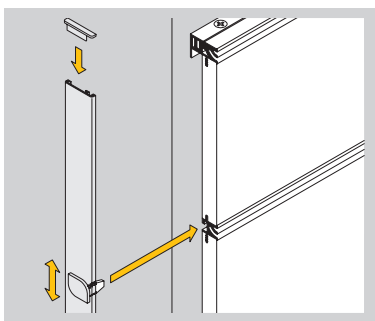
Grey	157.000.311	20
------	-------------	----

For use with intermediate profiles - assembly with base, ref. 153.730.511.



Side profile edge cover.


Grey	157.600.310	20
------	-------------	----



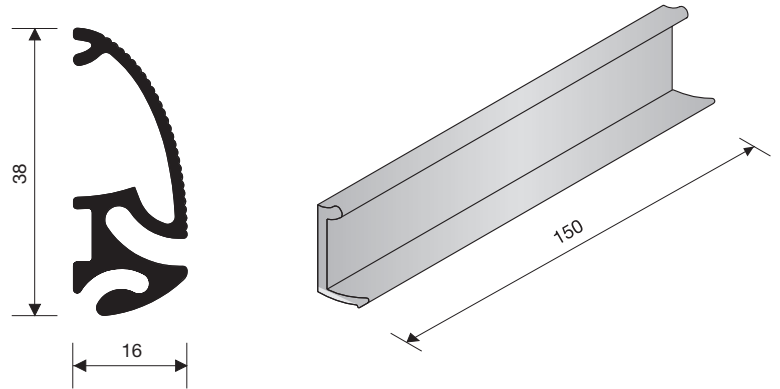
■ Independent profile

Horizontally held independent profile for walls. Can be set up for kitchens or offices. All accessories in the horizontal panelling system may be used.


Independent profile.

	3m profiles.	
Anodised silk	158.430.510	10

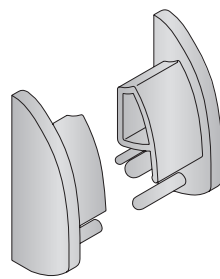
Each profile supplied with 4 aluminium supports to fix the profile.




Profile end cover.

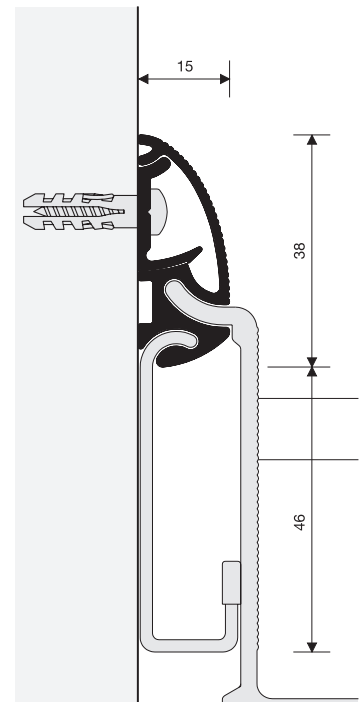
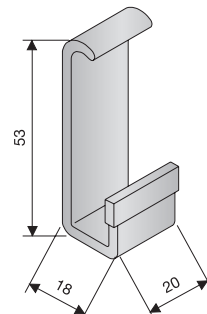
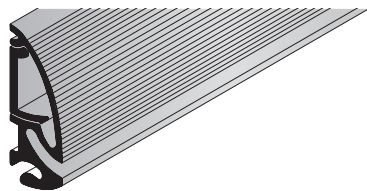
		
Black	157.800.020	20

Each reference consists of a set of covers.

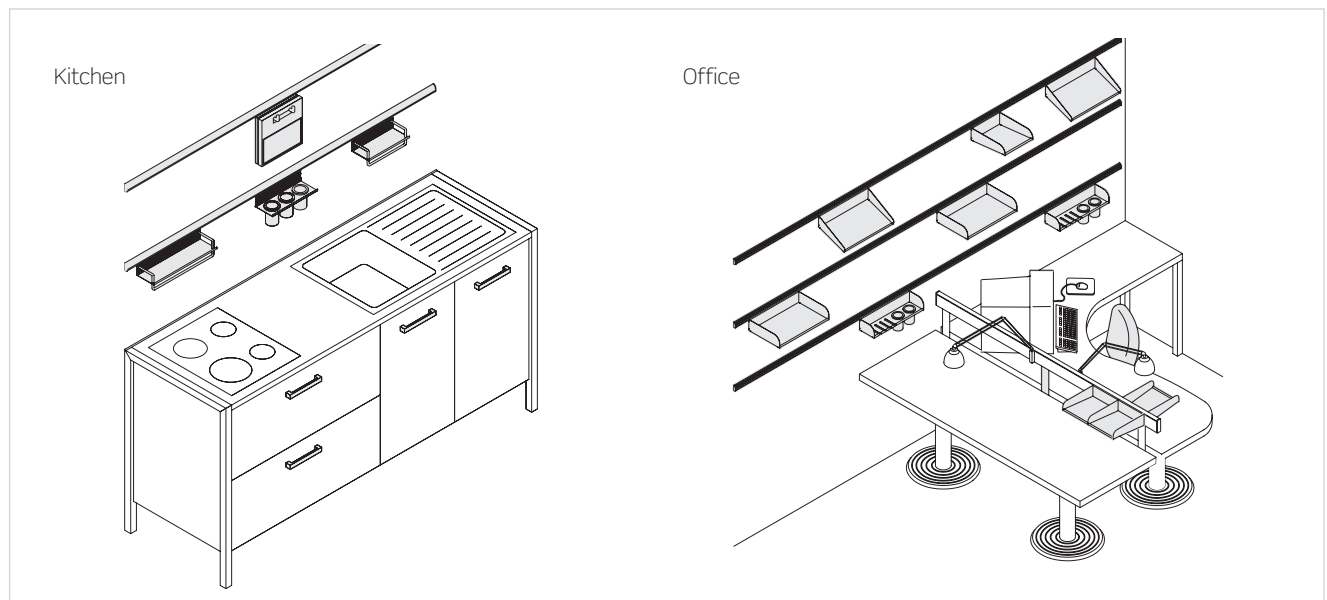


Accessories divider.

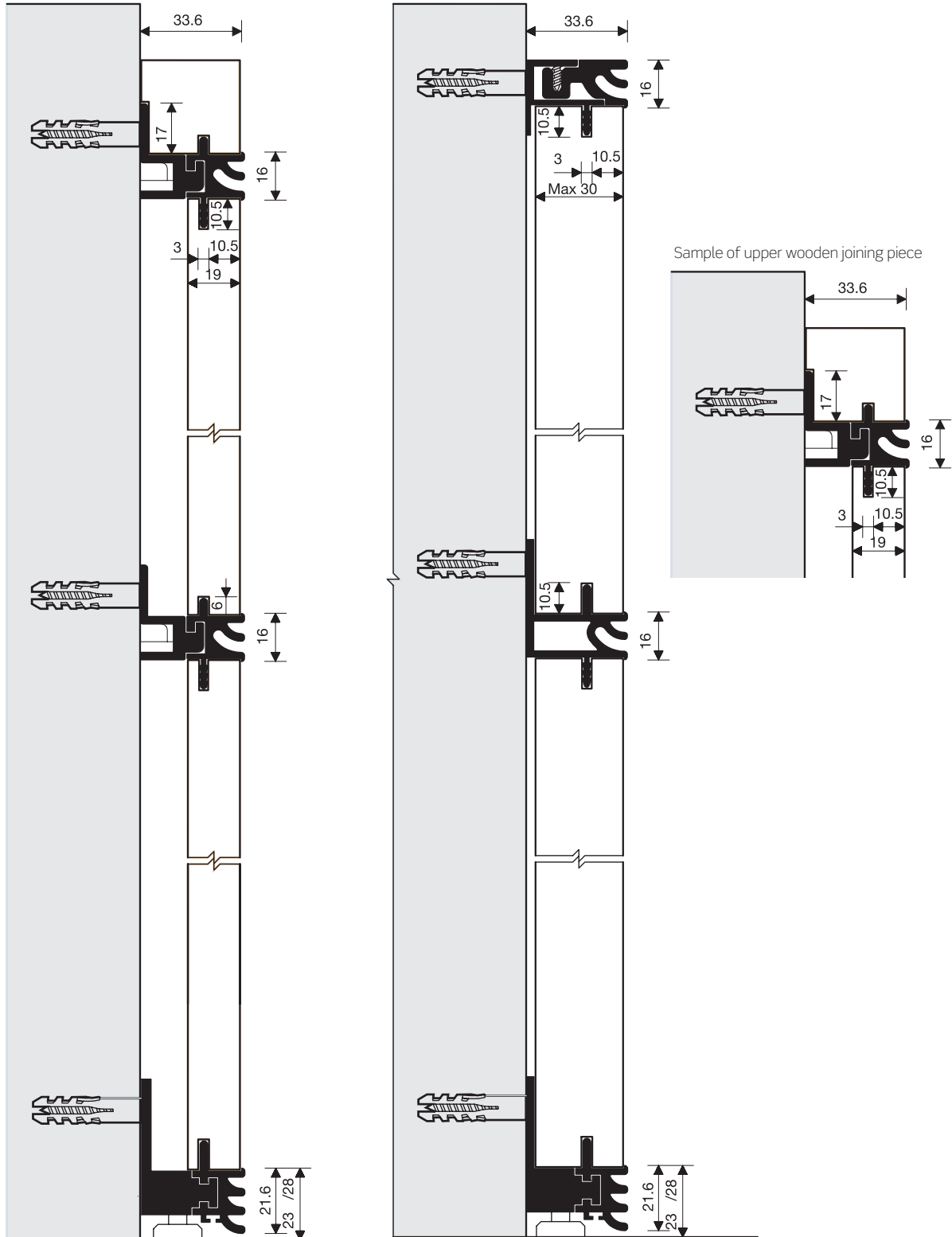
		
Natural aluminium	158.300.100	20



Sample set-ups

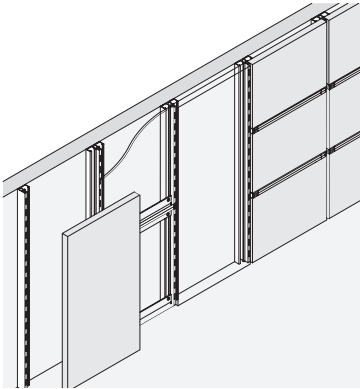


■ Technical data



2 HORIZONTAL AND VERTICAL PANELLING SYSTEMS: HEAVY

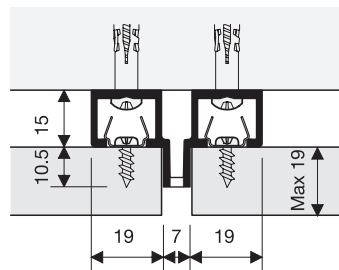
For panels up to 19mm.



Single rack.

Anodised	156.030.512	5
----------	-------------	---

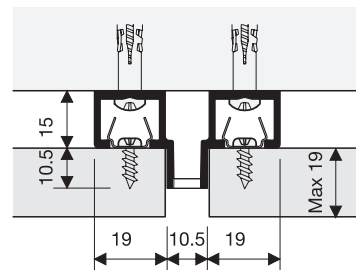
3m profiles.



Dual rack.

Anodised	156.130.516	5
----------	-------------	---

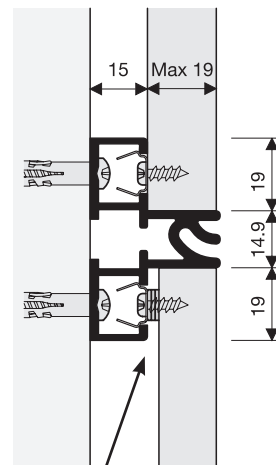
3m profiles.



Horizontal panelling profile.


Anodised	156.230.513	4
----------	-------------	---

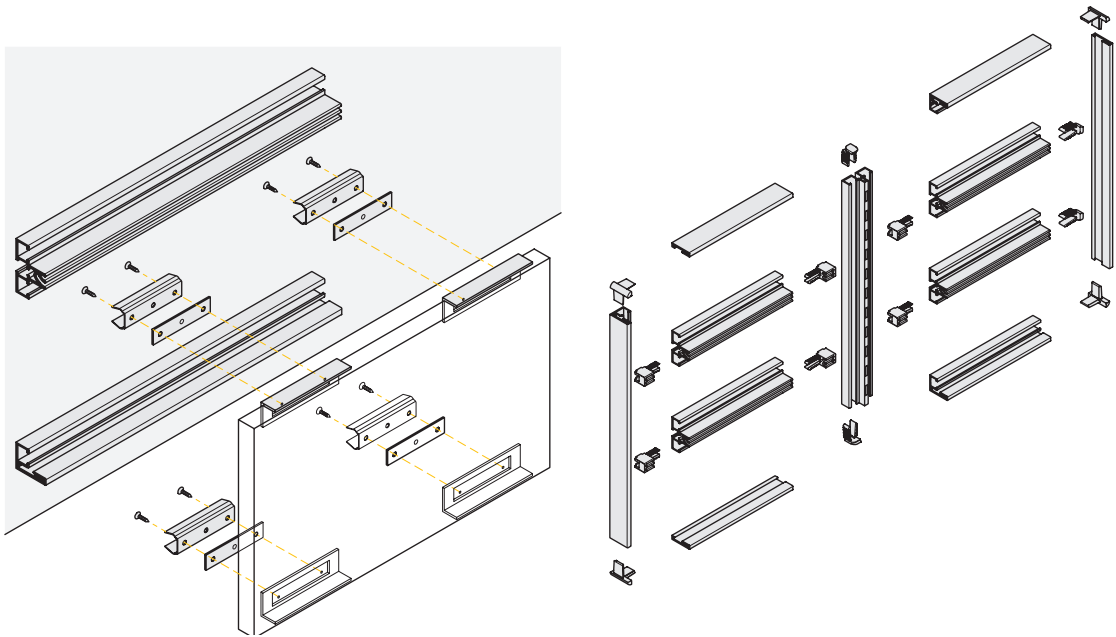
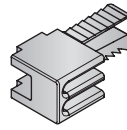
6m profiles.



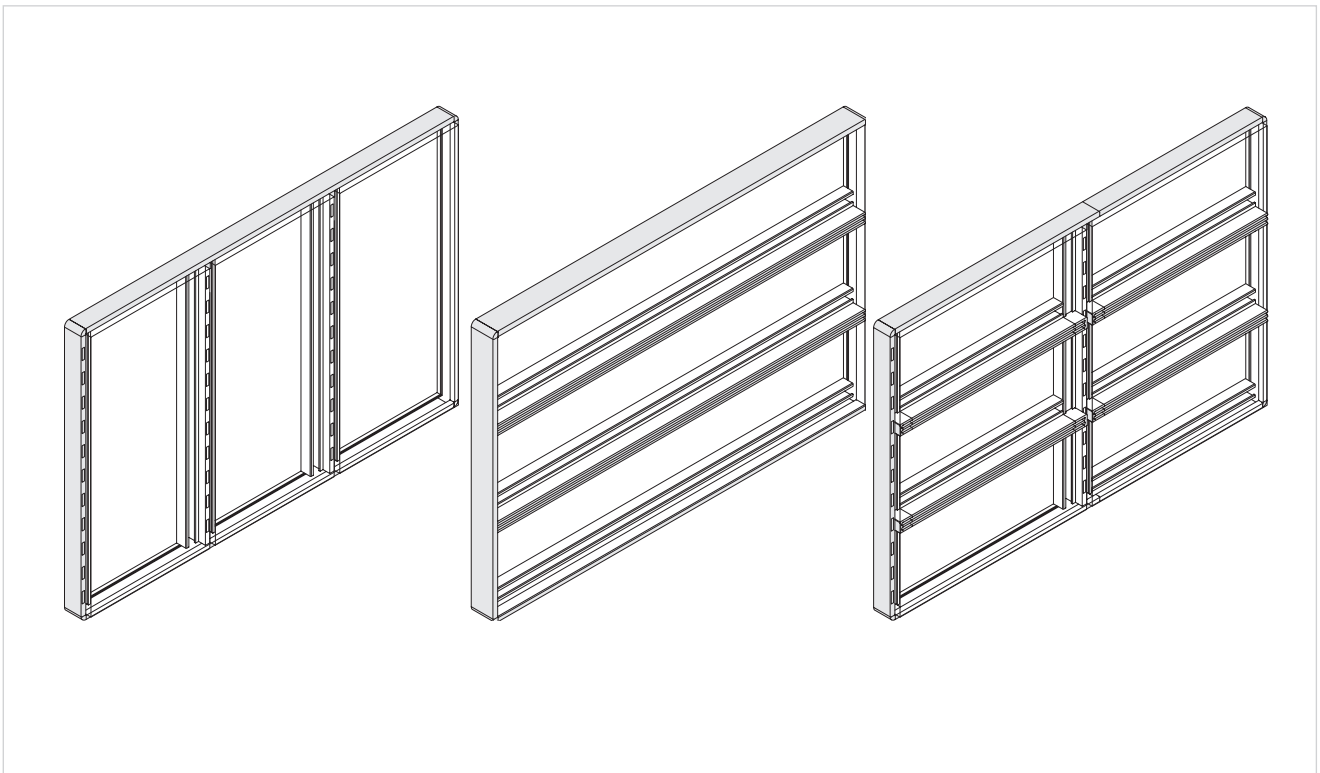
Spacer, for panels under 19mm.

Horizontal intermediate cover.

	
Grey	157.300.312 20



Sample set-ups



■ 25.5mm

Vertical/horizontal joining piece with rack 25.5mm.

Anodised	156.430.514	10
----------	-------------	----

3m profiles.



Vertical/horizontal joining piece 25.5mm.

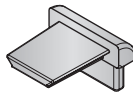
Anodised	156.630.515	10
----------	-------------	----

3m profiles.



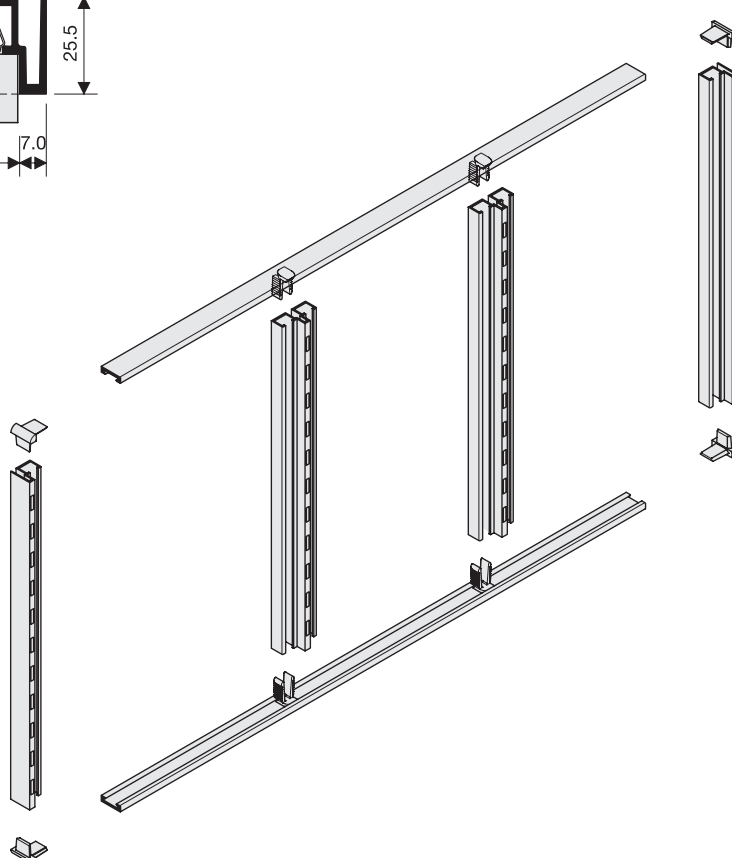
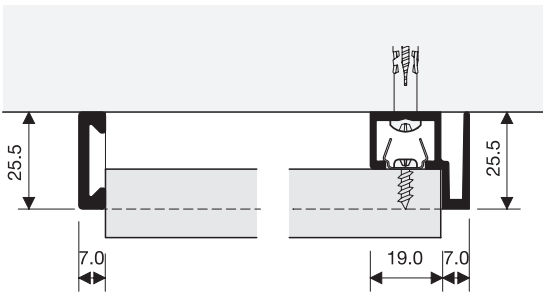
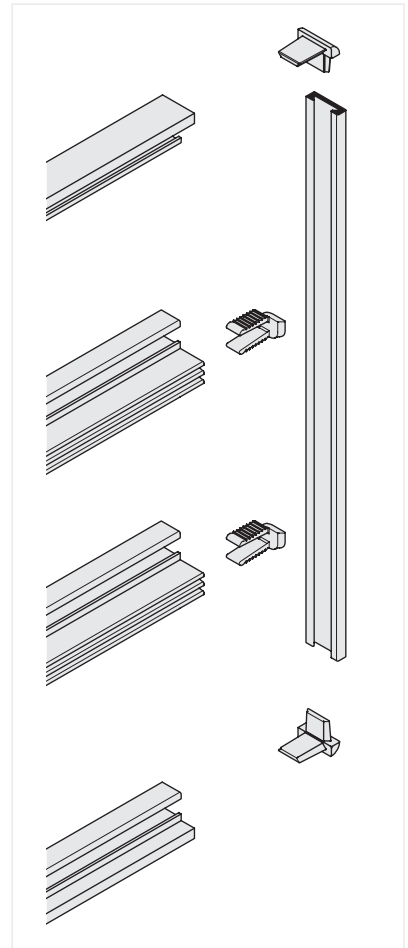
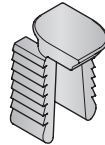
Corner cover 25.5mm.

Grey	157.725.315	20
------	-------------	----



Horizontal/vertical intermediate joining seal.

Grey	157.200.315	20
------	-------------	----



■ 34.5mm

Vertical/horizontal joining piece 34.5mm.

Anodised	156.530.511	10
----------	-------------	----

3m profiles.



Vertical/horizontal joining piece 34.5mm.

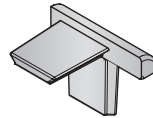
Anodised	156.730.512	10
----------	-------------	----

3m profiles.



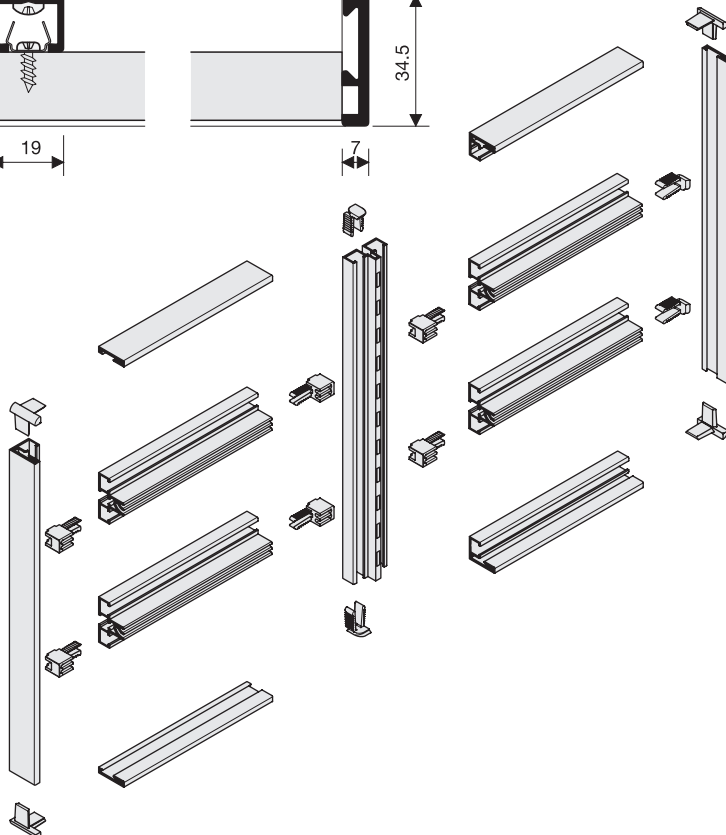
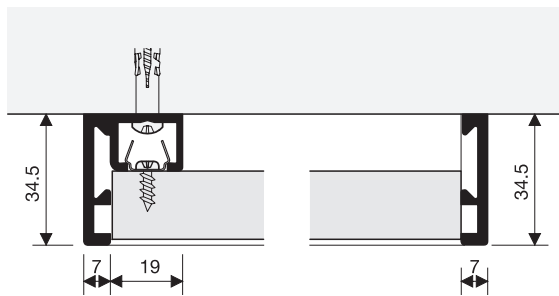
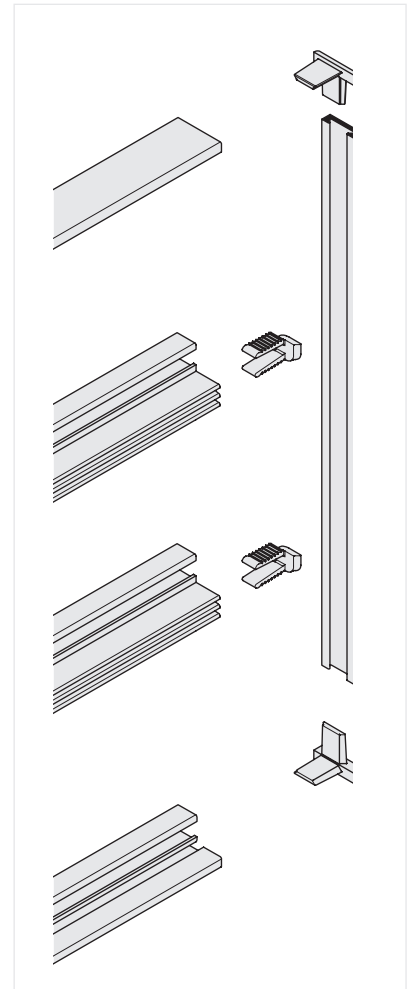
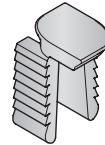
Corner cover 34.5mm.

Grey	157.734.312	20
------	-------------	----

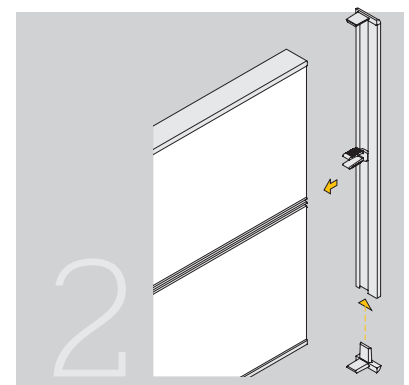
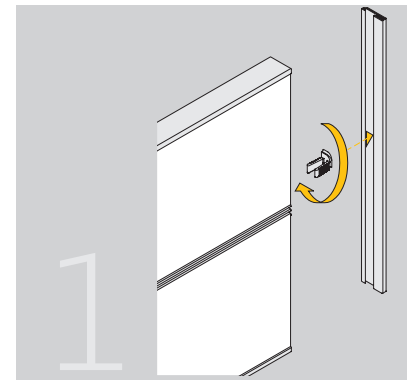


Horizontal/vertical intermediate joining seal.

Grey	157.200.315	20
------	-------------	----

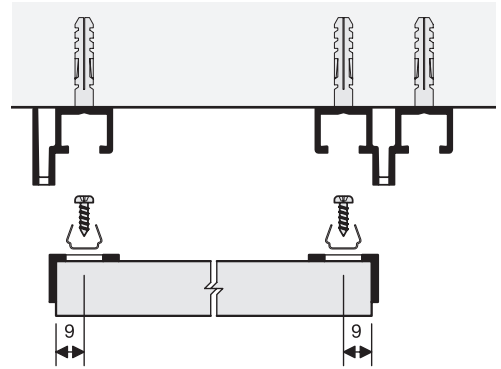
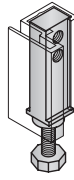


Assembly




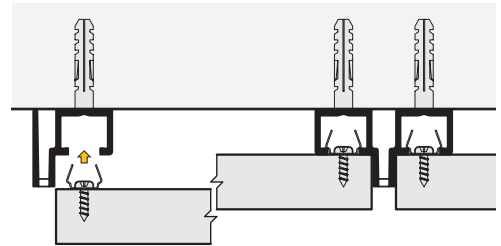
Adjustable leg.

		
	154.300.031	10



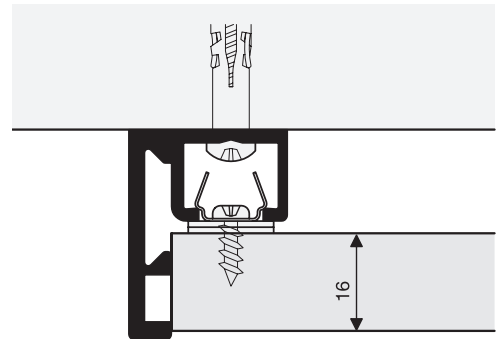
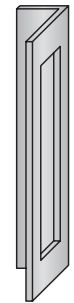
Panel coupler.

		
Anodised	154.400.035	40



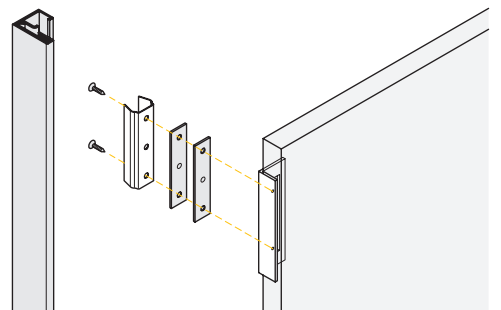
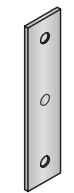
Positioning bracket.

		
Grey	154.500.032	20

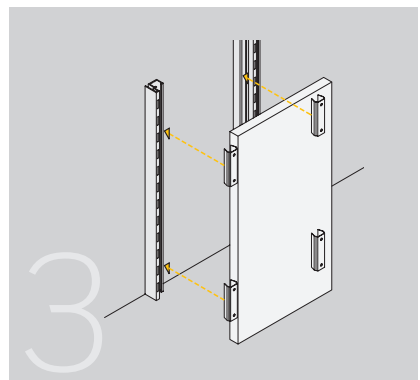
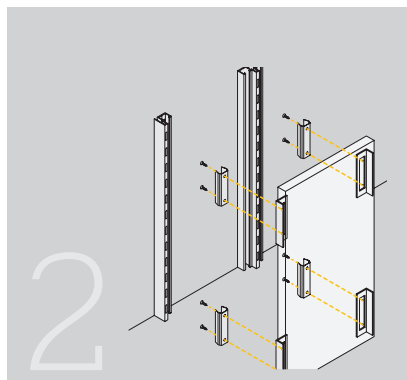
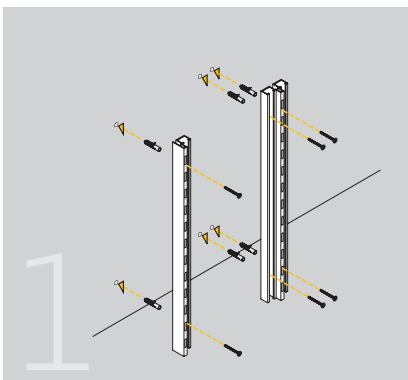


1mm-thick spacer.

		
Grey	154.600.036	40



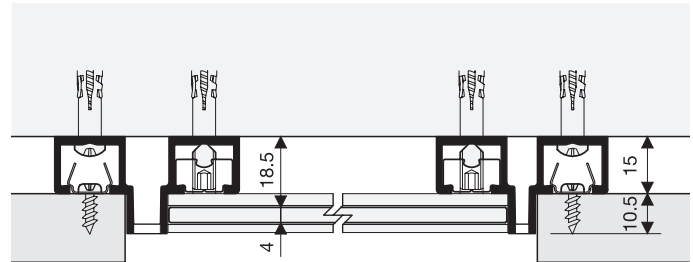
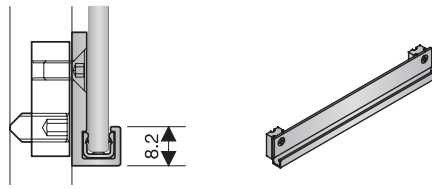
Assembly



Transversal profile for glass.

Anodised	155.830.511	2
----------	-------------	---

For 4mm glass. Machined to measure. It contains the tongue-pieces for glass and the necessary fittings.



Assembly

