

PLATE-RACK

In stainless steel

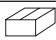
Plate-rack in stainless steel with glass-rack, and drip tray.

Introducing the new high quality plate -rack in 18.8 Stainless steel to store and drain plates, glasses and other kitchen utensils. As well as assuring long durability, it boasts a practical and useful design. The plate-rack comprises of a drip tray to collect

the excess water, and is able to fit into any module or onto any surface, it does not have to be placed over the sink drainer. Different sizes are available to accommodate any kitchen module. This simple and convenient plate-rack is supplied individually boxed.



Plate-rack + glass-rack + drip tray set.

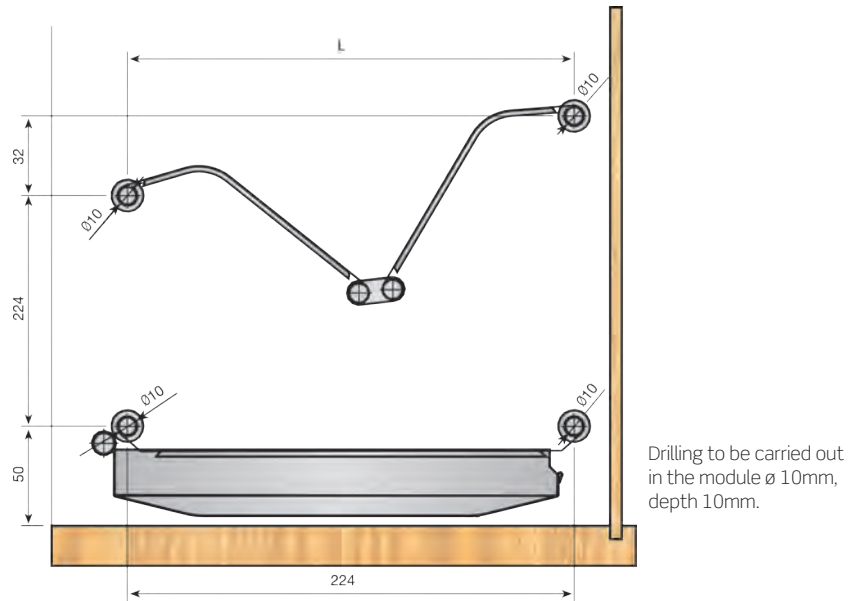
Module		
400	434.040.106	
450	434.045.102	
500	434.050.105	
600	434.060.104	10
700	434.070.103	
800	434.080.102	
900	434.090.101	

An assembly sheet is included.



■ Technical data

L (mm)	Plate (mm)
224	≤ Ø27.5
265	≤ Ø32



Assembly

Quick and easy to assemble, a template of instructions is included on how it can be fitted. The plate-rack does not need screws and is automatically placed into the pre-drilled holes as you can see in the picture below.



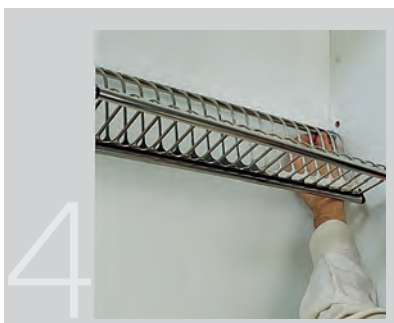
1 Place the template at the bottom and back of the unit.



2 Mark with a punch tool as indicated on the template. Various options are available, depending on the desired angle of the plate-rack. Carry out steps 1 and 2 on both sides of the unit.



3 Drill the 8 holes needed to fit the plate-rack onto the points marked out with the punch tool.



4 Proceed to fitting the plate-rack. Pressing the locking lugs, these will be retracted and easily fitted in the module drillings.



5 Lastly the assembly, insert the tray onto the plate-rack support.

