

MARC

Concealed runners for wooden drawers

Full program of concealed precision runners from INDAUX for wooden drawers. With multiple options: INDAmatic gradual soft closing system and also IMPULSE reverse opening system incorporated into the runner.



1 MARC RUNNERS: SINGLE EXTENSION

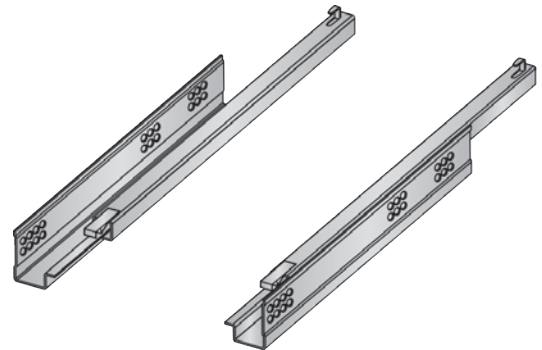
■ Gradual Soft-Closing. Pin mounting

Plastic roller-bearing.
 Pin or clip-mounting. 3mm height adjustment.
 Lengths from 250 to 500mm.

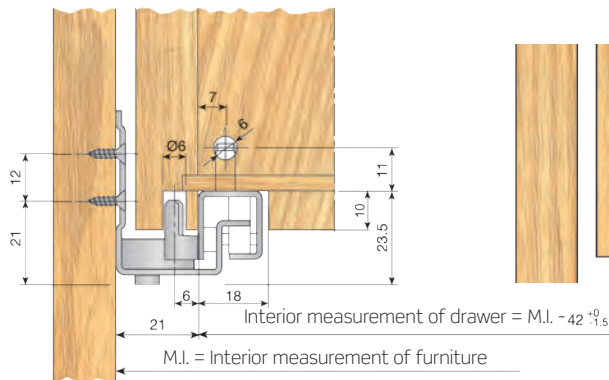


Single extension, gradual soft-closing. Pin mounting.

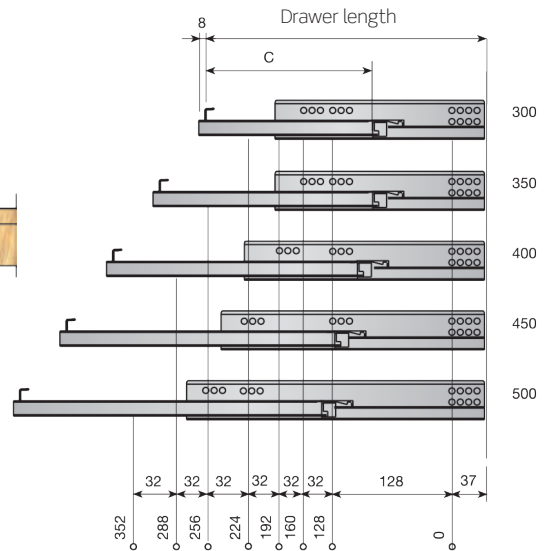
Drawer length	Reference	Extension loss	C	
300	769.730.032	62	260	24
350	769.735.035	62	310	
400	769.740.031	82	330	
450	769.745.034	82	355	
500	769.750.030	104	395	



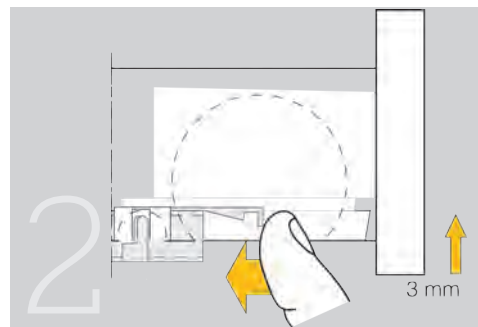
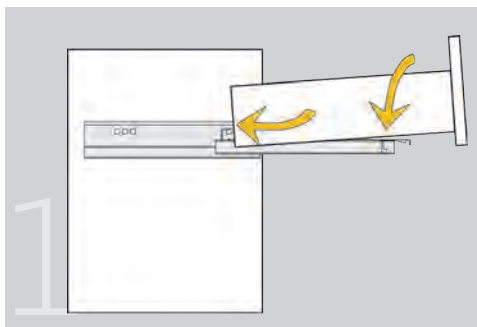
Drilling pattern



NOTE
 Maximum drawer thickness 18mm




Assembly & Adjustment

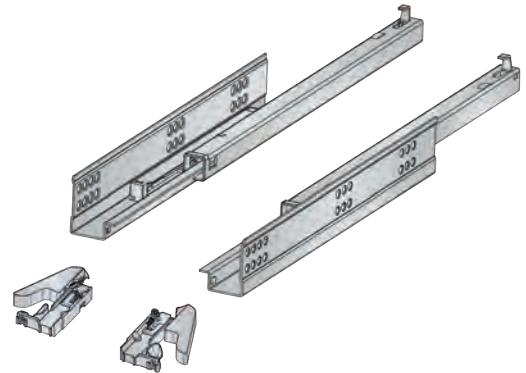


■ Gradual Soft-Closing. Clip mounting




Single extension, clip-mounting. INDAmatic.

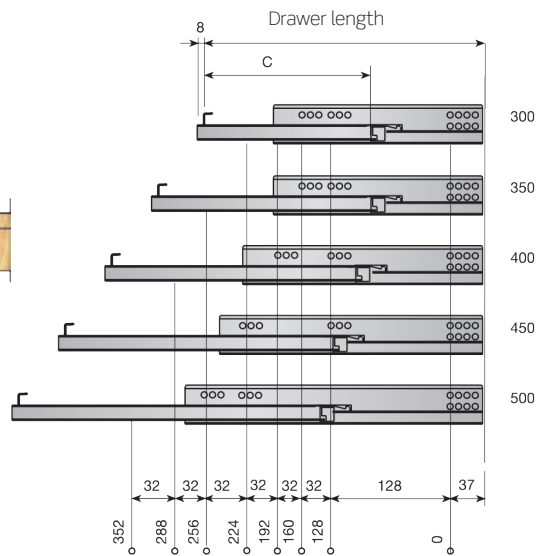
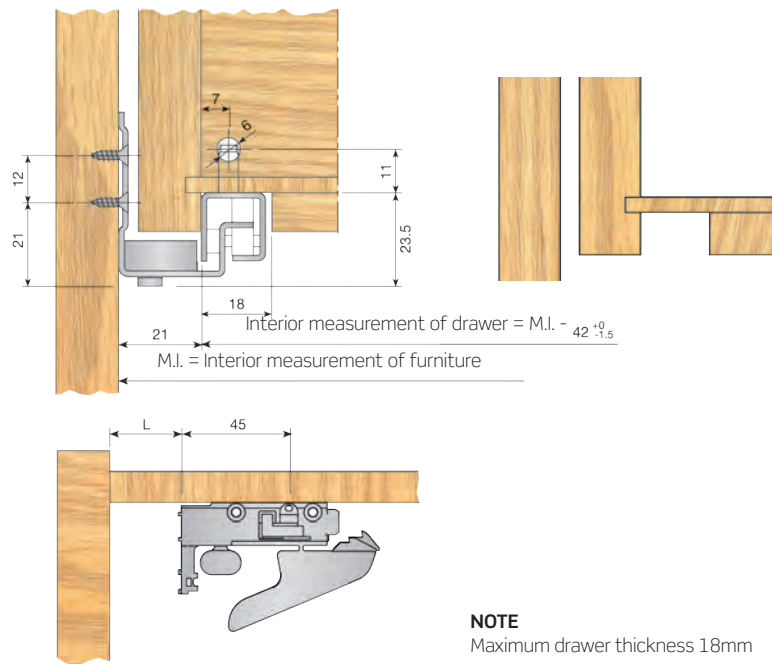
Drawer length	Reference	Extension loss	L	
300	769.530.031	62	0	24
350	769.535.034	62	25	
400	769.540.030	82	40	
450	769.545.033	82	65	
500	769.550.036	104	80	



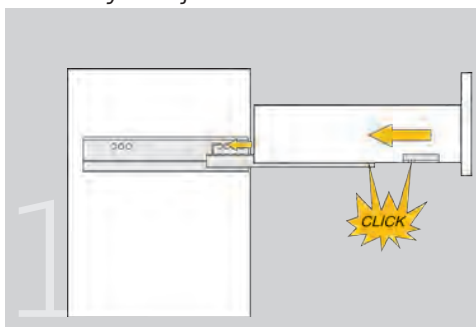
Clip-on brackets

Set	
731.250.100	100

Drilling pattern

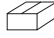


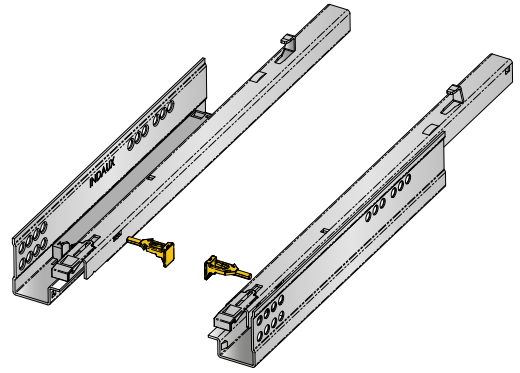
Assembly & Adjustment



■ Gradual Soft-Closing. Pin mounting

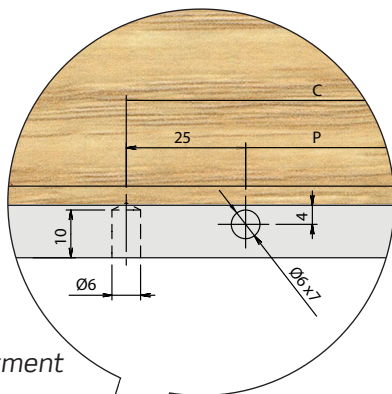
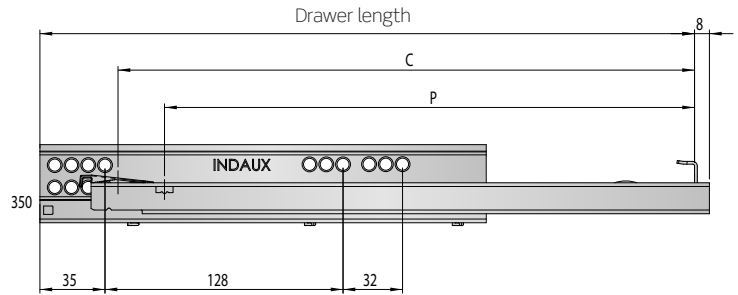
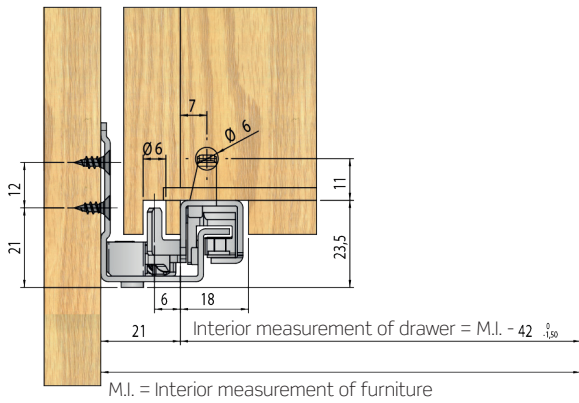
Single extension with pin and INDAmatic.

Drawer length	Reference	Extension loss	P	C	
350	769.235.036	72,5	260	285	24

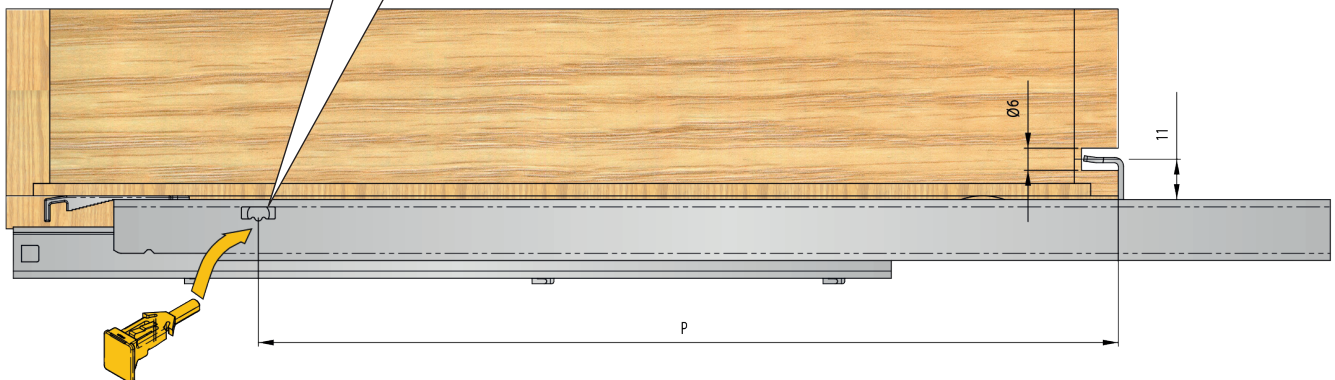


Pin

	763.200.491	1000
---	-------------	------




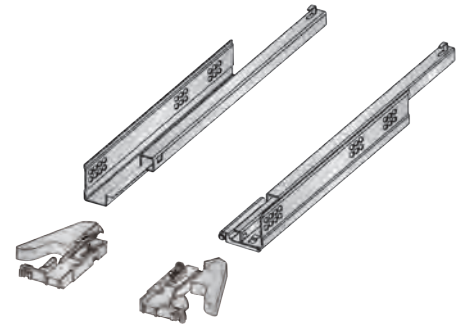
Assembly & Adjustment



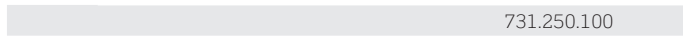

■ Self-Closing + IMPULSE reverse opening premounted. Clip mounting

Single extension, gravity self-closing. Clip-on mounting.

Drawer length	Reference	Extension loss	L	
250	766.025.035	62	0	
300	766.030.031	62	30	
350	766.035.034	62	55	
400	766.040.030	82	70	
450	766.045.033	82	95	
500	766.050.036	104	110	



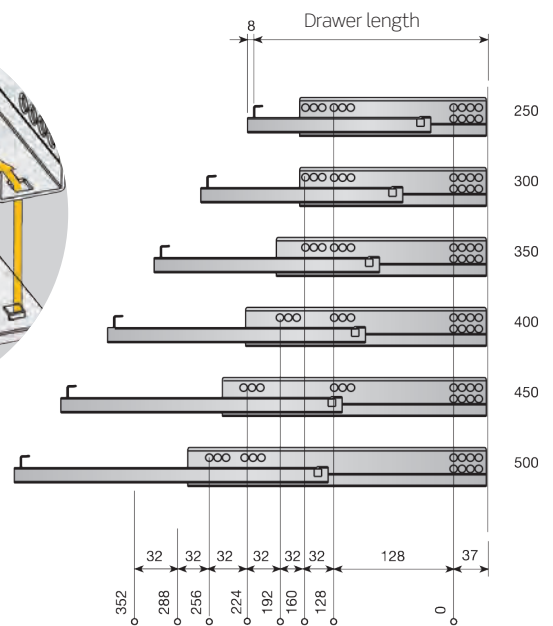
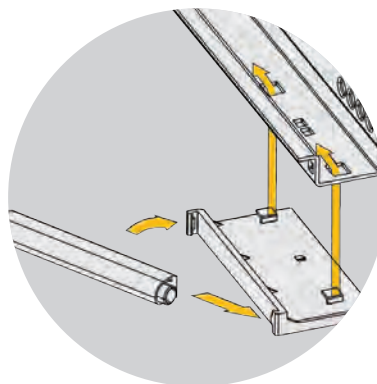
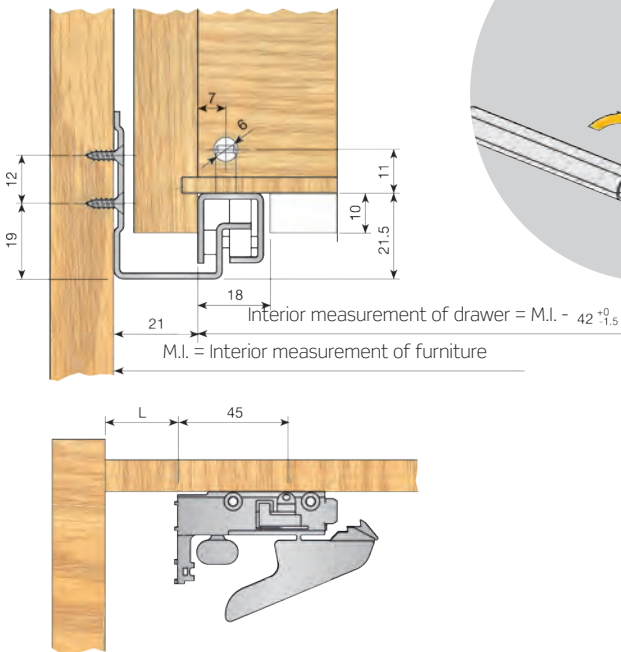
Clip-on brackets.

	Set	
	731.250.100	100 

NOTE

- > IMPULSE reverse opening push-latch delivered unassembled
- > Maximum drawer thickness 18mm

Drilling Pattern



Assembly & Adjustment

